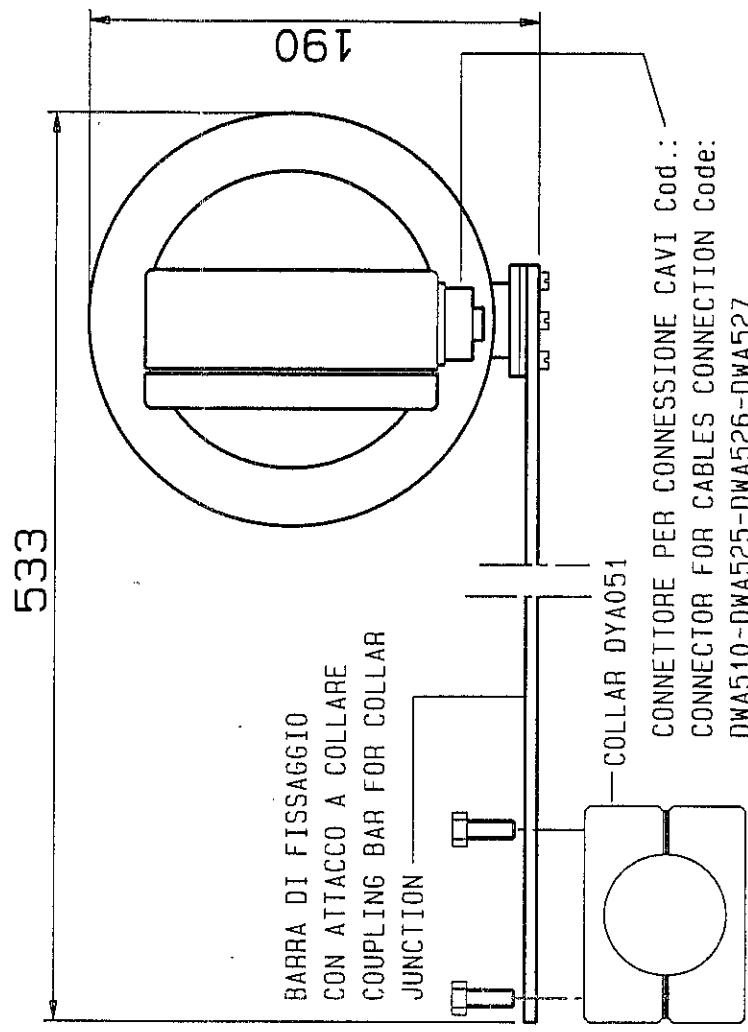
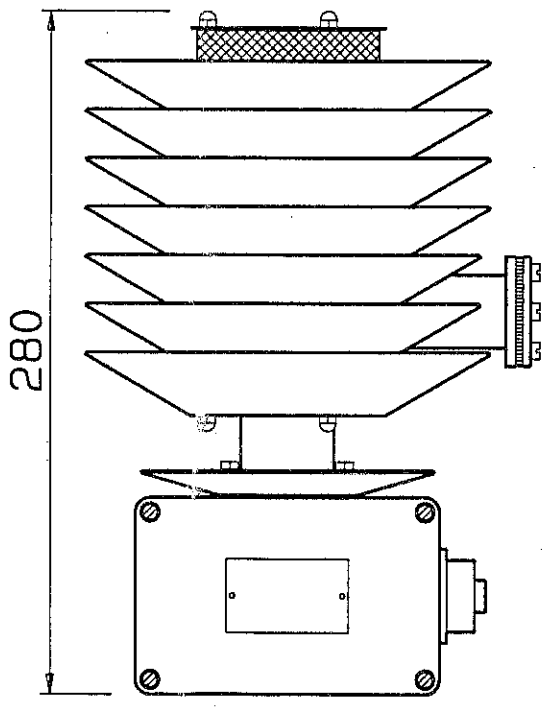


TERMO (IGRO) METRO ANTIRADIAZIONE A VENTILAZIONE NATURALE CAMPO -30+70°C; 0..100% Re1
 ANTIRADIANT THERMO (HIGRO) METER WITH NATURAL VENTILATION RANGE -30+70°C; 0..100% Re1

- CODE DMA532 : TEMPERATURA TEMPERATURE USCITA/OUTPUT 4..20mA ALIM/MAINS 24Vac
- CODE DMA534 : TEMPERATURA TEMPERATURE USCITA/OUTPUT 0..20mA ALIM/MAINS 24Vac
- CODE DMA552 : TEMPERATURA TEMPERATURE USCITA/OUTPUT 0..5Vcc ALIM/MAINS 12Vdc
- CODE DMA533 : TEMPERATURA + UMIDITA' RELATIVA USCITA 2x4..20mA ALIM.24Vca
 TEMPERATURE + RELATIVE HUMIDITY OUTPUT 2x4..20mA MAINS 24Vac
- CODE DMA535 : TEMPERATURA + UMIDITA' RELATIVA USCITA 2x0..20mA ALIM.24Vca
 TEMPERATURE + RELATIVE HUMIDITY OUTPUT 2x0..20mA MAINS 24Vac
- CODE DMA553 : TEMPERATURA + UMIDITA' RELATIVA USCITA 2x0..5Vcc ALIM.12Vcc
 TEMPERATURE + RELATIVE HUMIDITY OUTPUT 2x0..5Vcc MAINS 12Vdc

- CODE DMA563 : TEMPERATURA + UMIDITA' RELATIVA USCITA 2x60..300mV ALIM 12Vcc
 TEMPERATURE + RELATIVE HUMIDITY OUTPUT 2x60..300mV MAINS 12Vdc



Pin	Description
1	+Vdc Vac (vedi targhetta see label) ALIM/MAINS
2	+Sig TEMP (vedi targhetta see label)
3	-Sig Com. (vedi targhetta see label)
4	+Sig R.H. (vedi targhetta see label)
5	Schermo Screen
6	-Vdc Vac (vedi targhetta see label) ALIM/MAINS
7	Terra Earth

CONNETTORE PER CONNESSIONE CAVI Cod.:
 CONNECTOR FOR CABLES CONNECTION CODE:
 DWA510-DWA525-DWA526-DWA527

Drwg **3226** Date 15-07-1994 Ref. A.A. **LASTEM** ITALIA